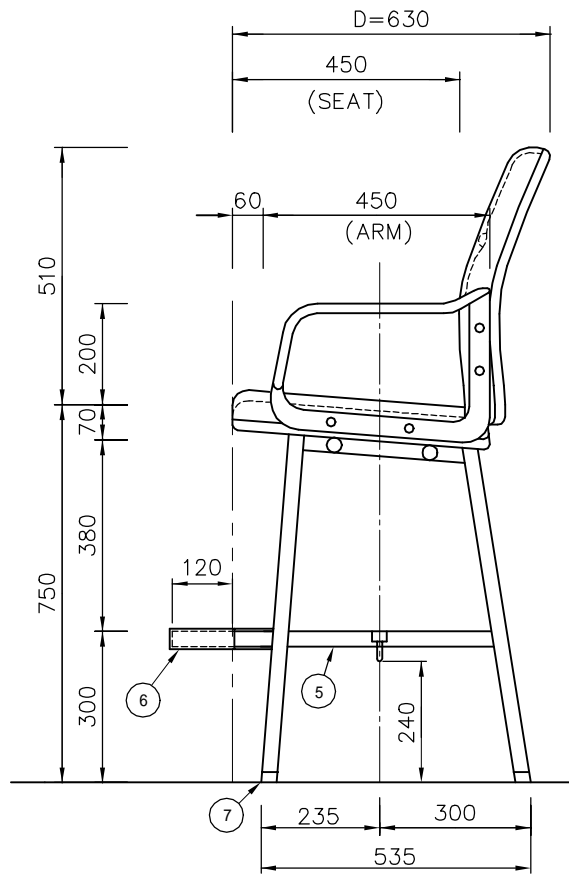
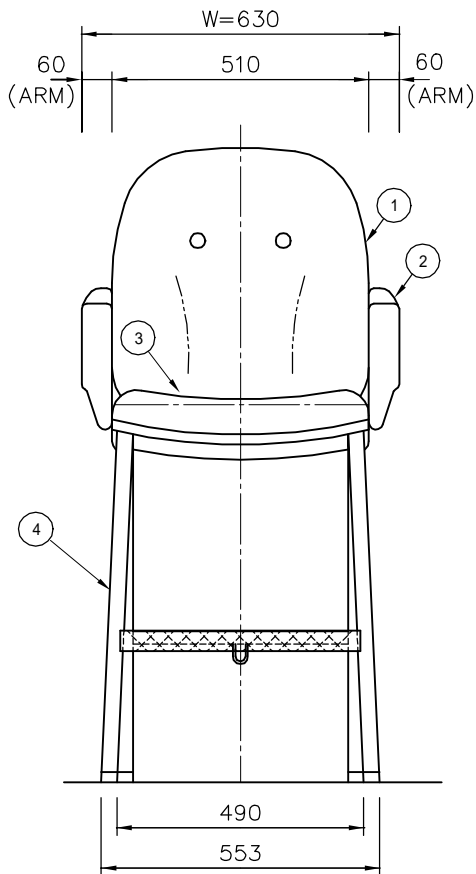
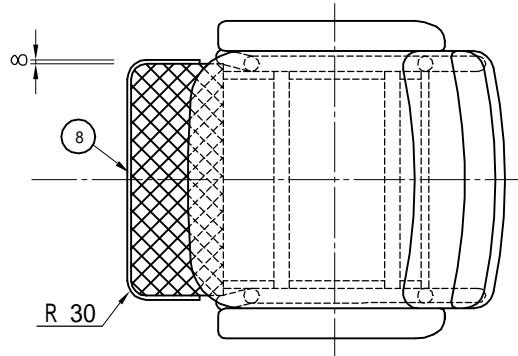


# PILOT CHAIR ( 506P )

TITLE.



③	SEAT	FRONT COVER ; ~VINYL LEATHER (DARK BROWN COLOR) & URETHANE FOAM	⑧	RUBBER	30 * 8t
		BACK PLATE ; ~PLASTIC (BLACK COLOR)	⑦	TIPS	PLASTIC & STEEL
②	ARM REST	PLASTIC (BLACK COLOR)	⑥	STEP	CHECKER STEEL PLATE BAKED ENAMEL (IVORY COLOR)
①	BACK REST	FRONT COVER ; ~VINYL LEATHER (DARK BROWN COLOR) & URETHANE FOAM	⑤	REINF.FRAME	30x20 STEEL PIPE BAKED ENAMEL (IVORY COLOR)
		BACK COVER ; ~VINYL LEATHER (DARK BROWN COLOR) & URETHANE FOAM	④	LEG	3.18 STEEL PIPE BAKED ENAMEL (IVORY COLOR)
MARK	NAME	MATERIAL	MARK	NAME	MATERIAL