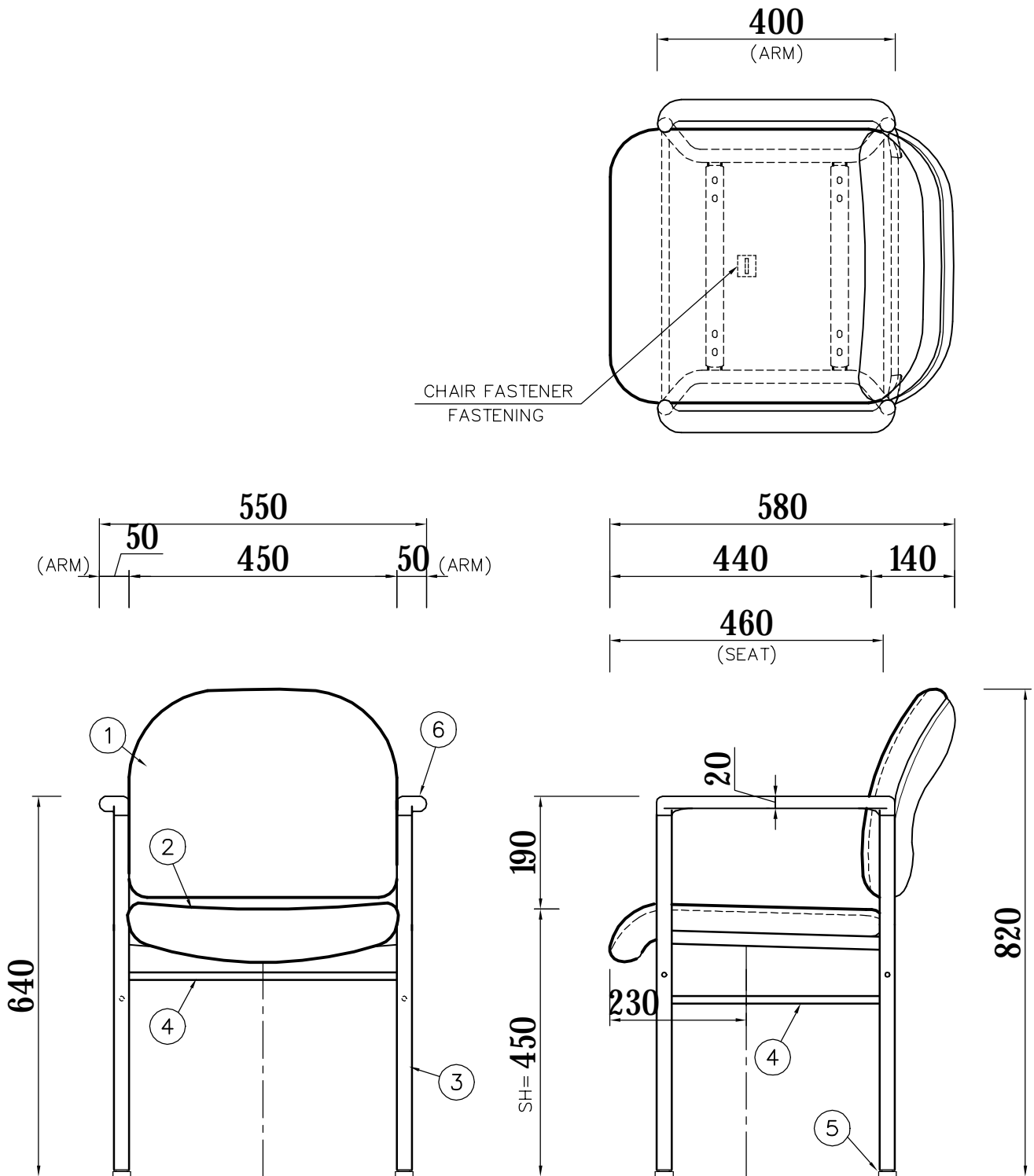


ARM CHAIR (H-851)

TITLE.



| | | | | | |
|------|-----------|---------------------------------------|------|---------------|---------------------------------------|
| ③ | LEG | φ25.4 STEEL PIPE (CHROMIUM PLATING A) | | | |
| ② | SEAT | FRONT COVER ; ~CLOTH SPECIFICATION | | | |
| | | BACK PLATE ; ~WOOD | ⑥ | ARM REST | PLASTIC |
| ① | BACK REST | FRONT COVER ; ~CLOTH SPECIFICATION | ⑤ | ADJUSTER | PLASTIC & STEEL |
| | | BACK PLATE ; ~PLASTIC (BLACK COLOR) | ④ | REINFORCEMENT | φ12.7 STEEL PIPE (CHROMIUM PLATING A) |
| MARK | NAME | MATERIAL | MARK | NAME | MATERIAL |