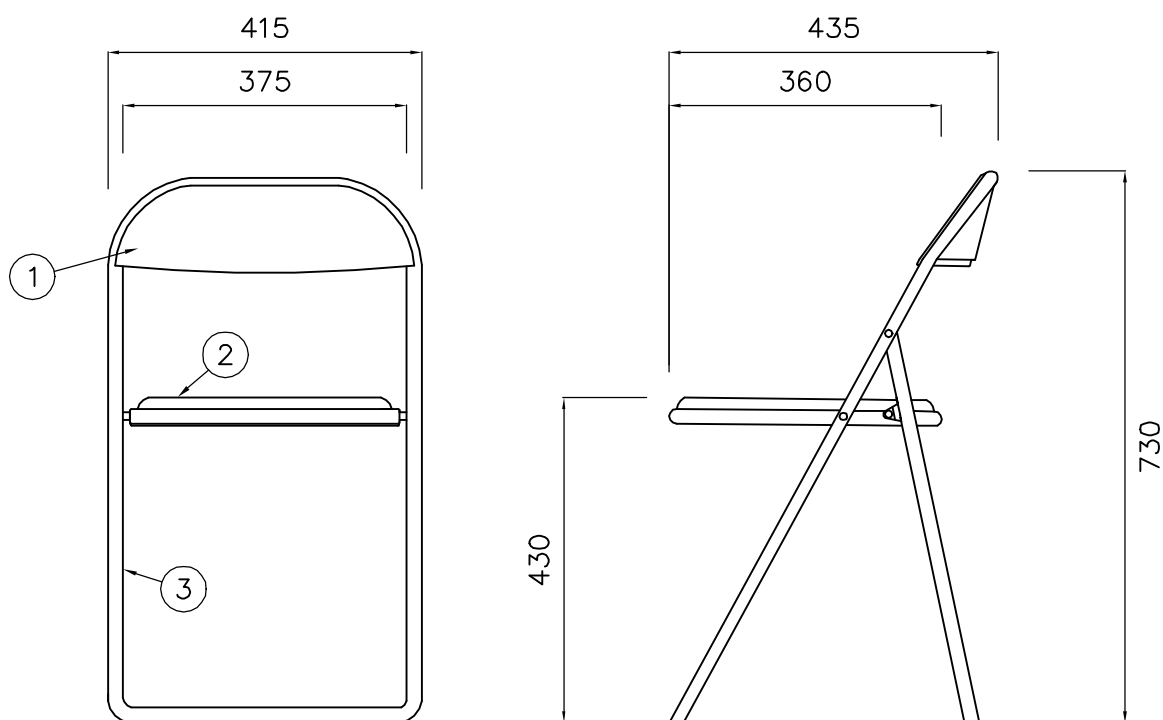


# FOLDING CHAIR

HC-100M

TITLE.



MARK	NAME	MATERIAL	MARK	NAME	MATERIAL
③	BACK FOAM	VINYL LEATHER & URETHANE FOAM			
②	SEAT FOAM	VINYL LEATHER & URETHANE FOAM			
①	LEG	PIPE 19.1φ			