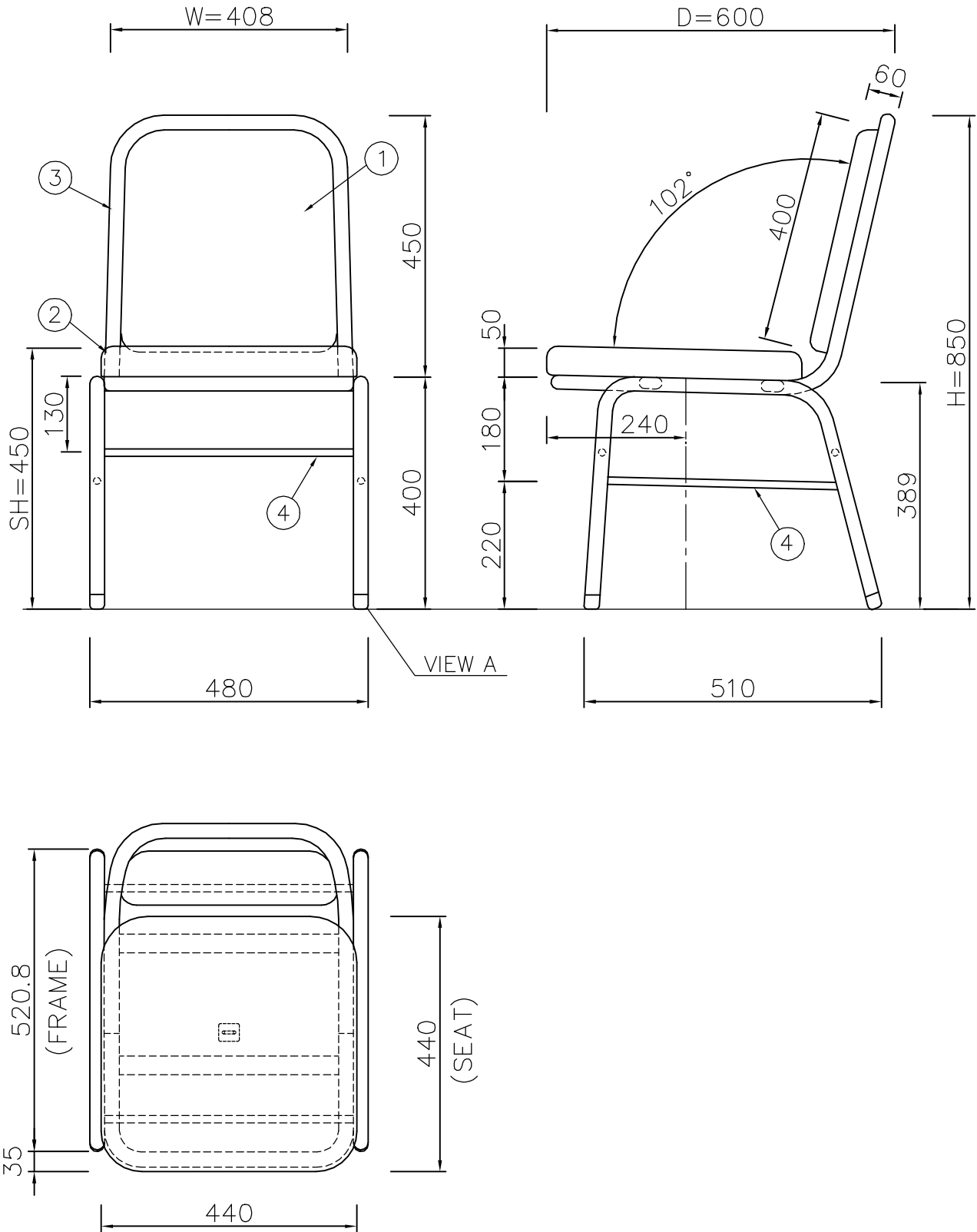


STACKING CHAIR (HS-901)

TITLE.



②	SEAT	URETHANE FOAM 10% & CHIP URETHANE FOAM 35% VENEER 12% & LINING CLOTH	⑥	CAPS	RUBBER
①	BACK REST	BACK ; URETHANE FOAM 5% & VENEER 5% FRONT ; URETHANE FOAM 10% & VENEER 5% CHIP URETHANE FOAM 30%	⑤	TIPS	H = 6
			④	REINFORCEMENT	STEEL PIPE 12.7φ × 1.4t
			③	FRAME (BACK REST & LEG)	STEEL PIPE 25.4φ × 1.5t
MARK	NAME	MATERIAL	MARK	NAME	MATERIAL