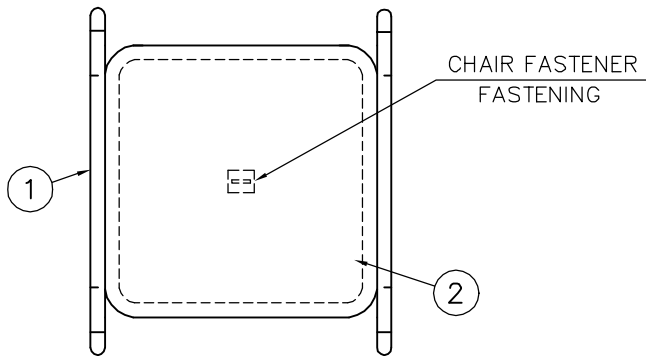
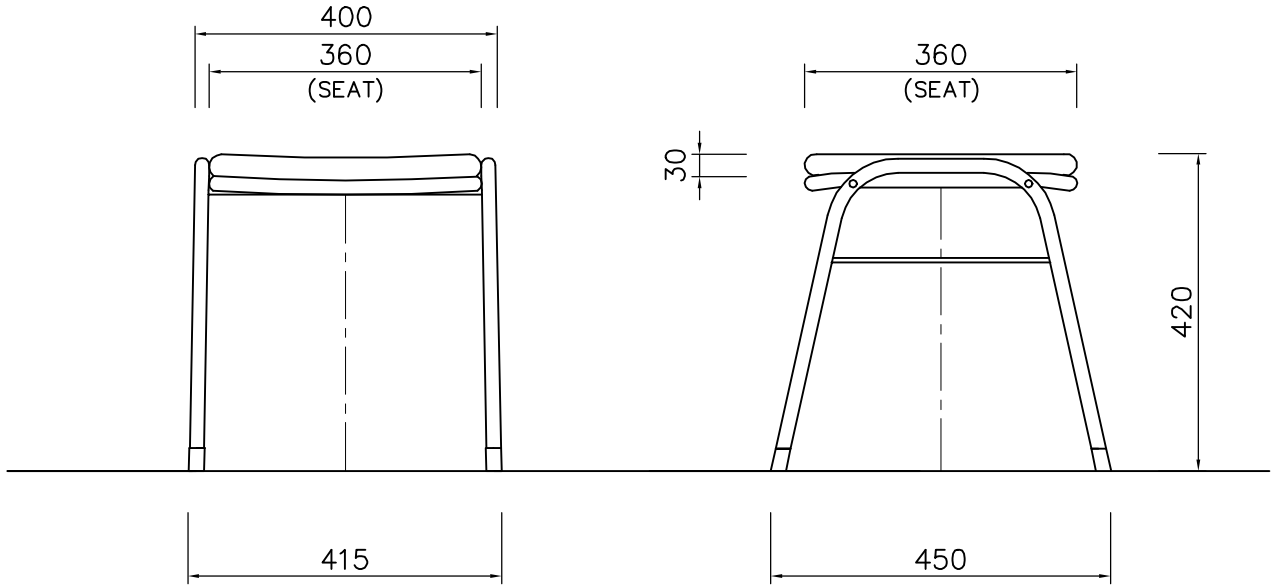


STOOL

KM-131

TITLE.



MARK	NAME	MATERIAL	MARK	NAME	MATERIAL
②	SEAT FOAM	VINYL LEATHER & URETHANE FOAM			
①	LEG	PIPE 19.1φ			