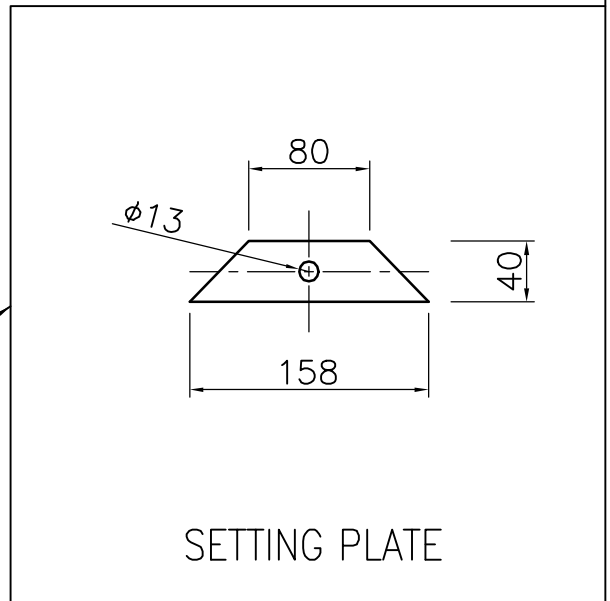
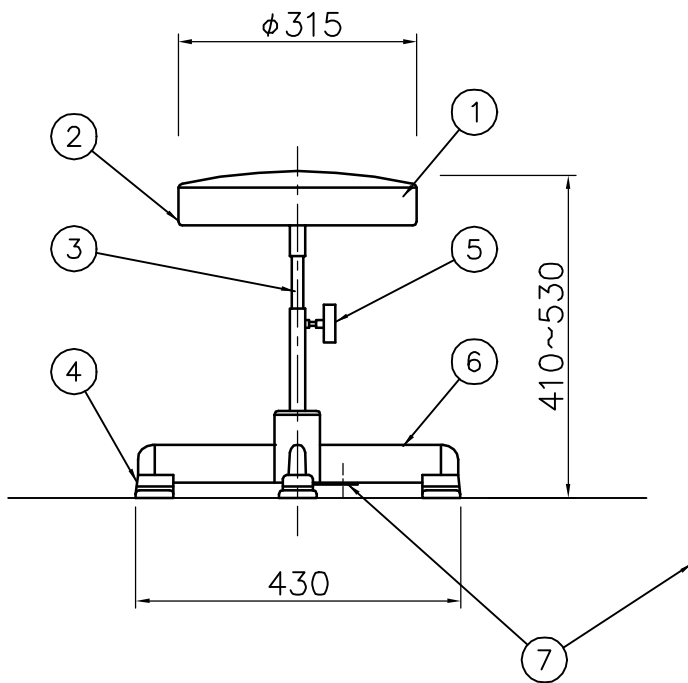
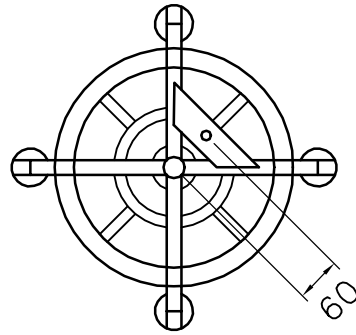
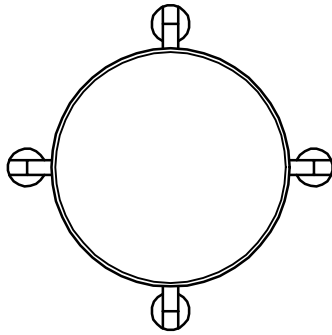


REVOLVING STOOL T-5

TITLE.



④	LEG	STEEL			
③	SHAFT	STEEL PIPE	⑦	SETTING PLATE	STEEL 2.3t
②	BASE	STEEL PLATE & STEEL PIPE	⑥	CAPS	PLASTIC
①	SEAT	VINYL LEATHER & URETHANE FORM	⑤	HANDL	PLASTIC
MARK	NAME	MATERIAL	MARK	NAME	MATERIAL