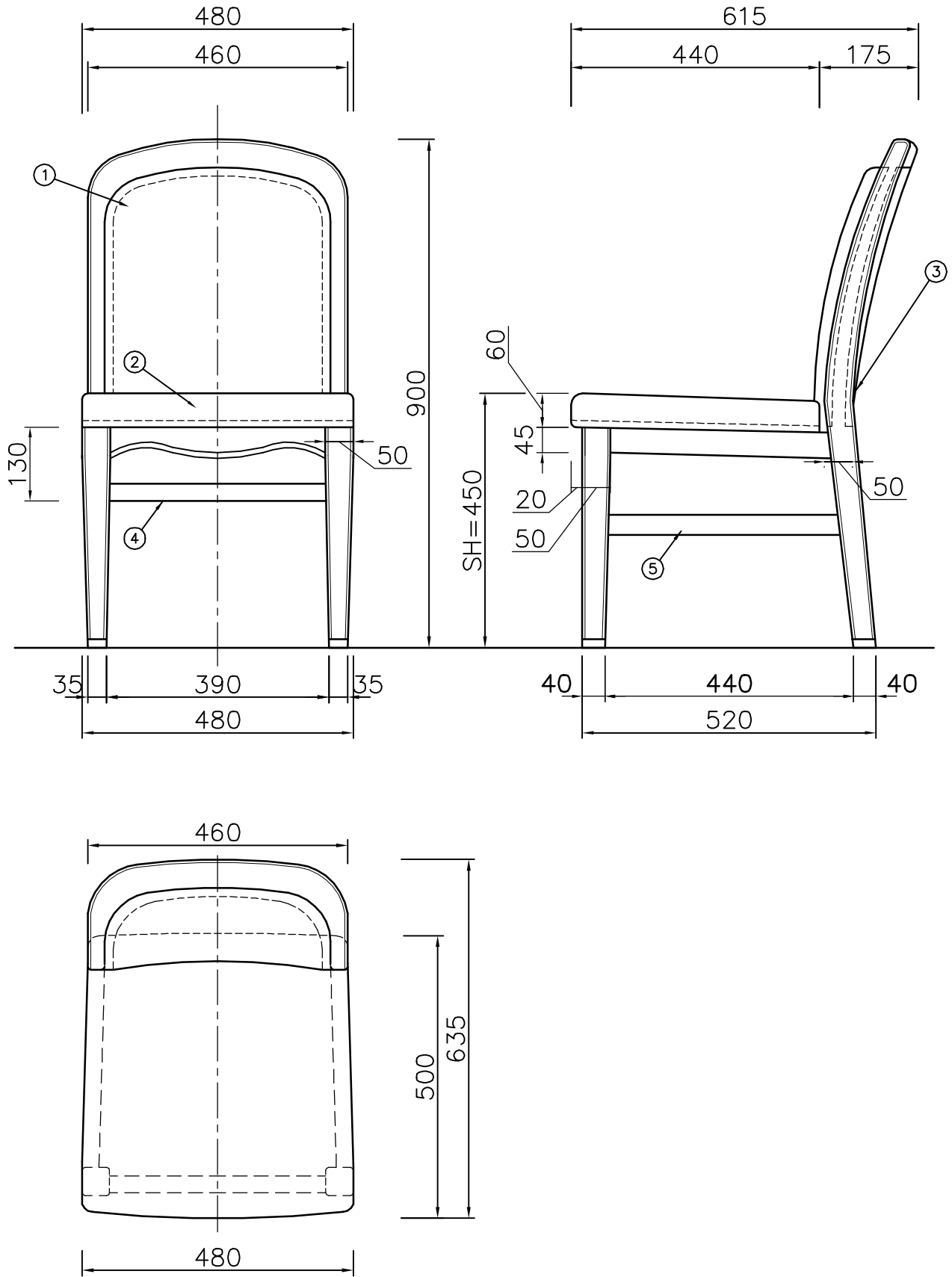


# COMMON CHAIR (WOOD) HU-301

TITLE.



②	SEAT	VENEER & URETHANE FORM & CHIP URETHANE FORM	⑤	REINFORCEMENT	WOOD 30 * 35
①	BACK REST	VENEER & FRONT URETHANE FORM & BACK URETHANE FORM & PIPING	④	REINFORCEMENT	WOOD 30 * 25
MARK	NAME	MATERIAL	MARK	NAME	MATERIAL
			③	REG	MALAYSIAN RUBBER WOOD