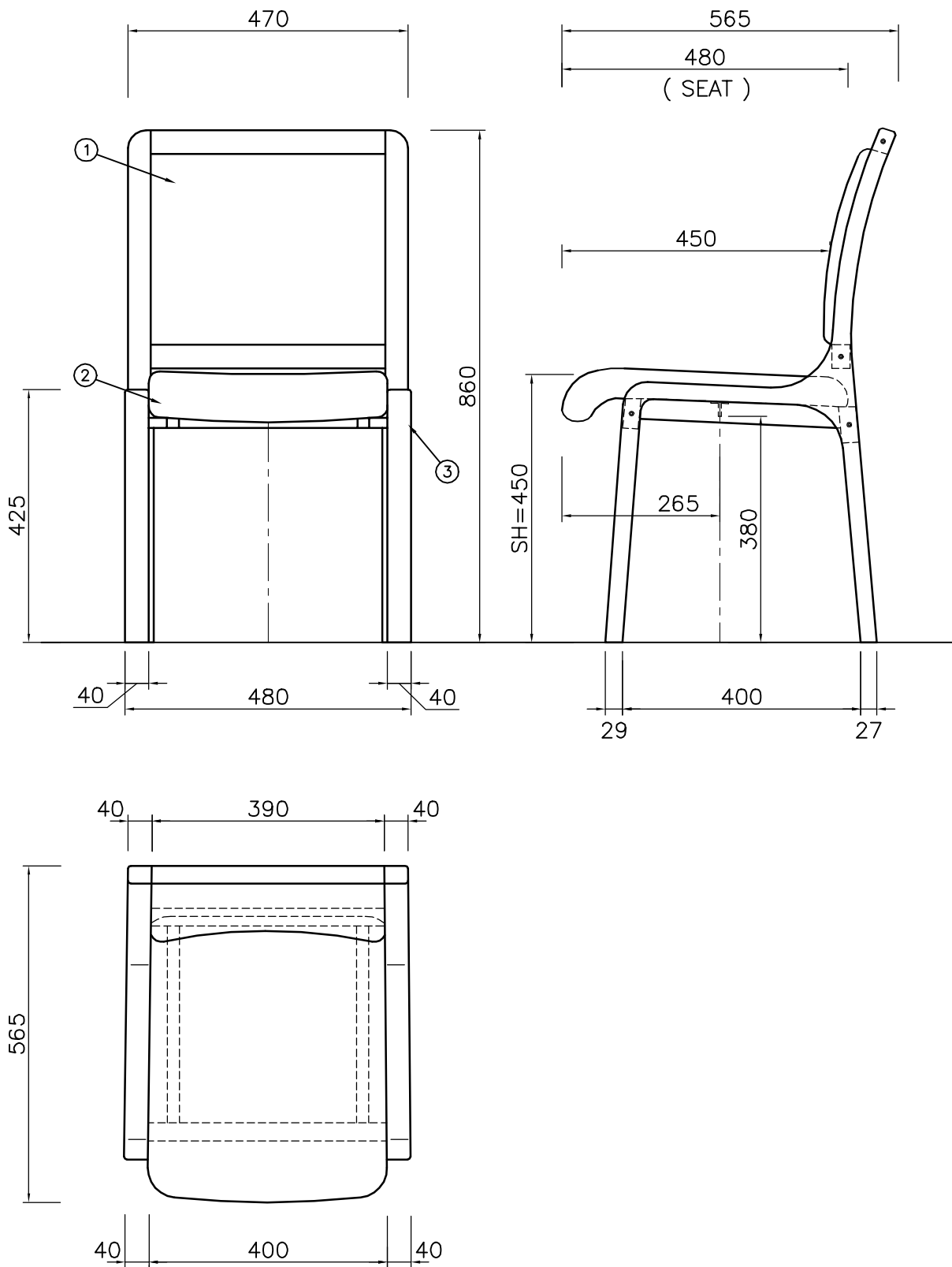


# COMMON CHAIR (WOOD) HU-302

TITLE.



②	SEAT	VENEER 12t & URETHANE FORM 30 % & CHIP URETHANE FORM 10 %			
①	BACK REST	VENEER 12t & FRONT URETHANE FORM 30 % & BACK URETHANE FORM 10 %	③	REG	
MARK	NAME	MATERIAL	MARK	NAME	MATERIAL
				WOOD COLOR ; MAHOGANI & NATURAL	