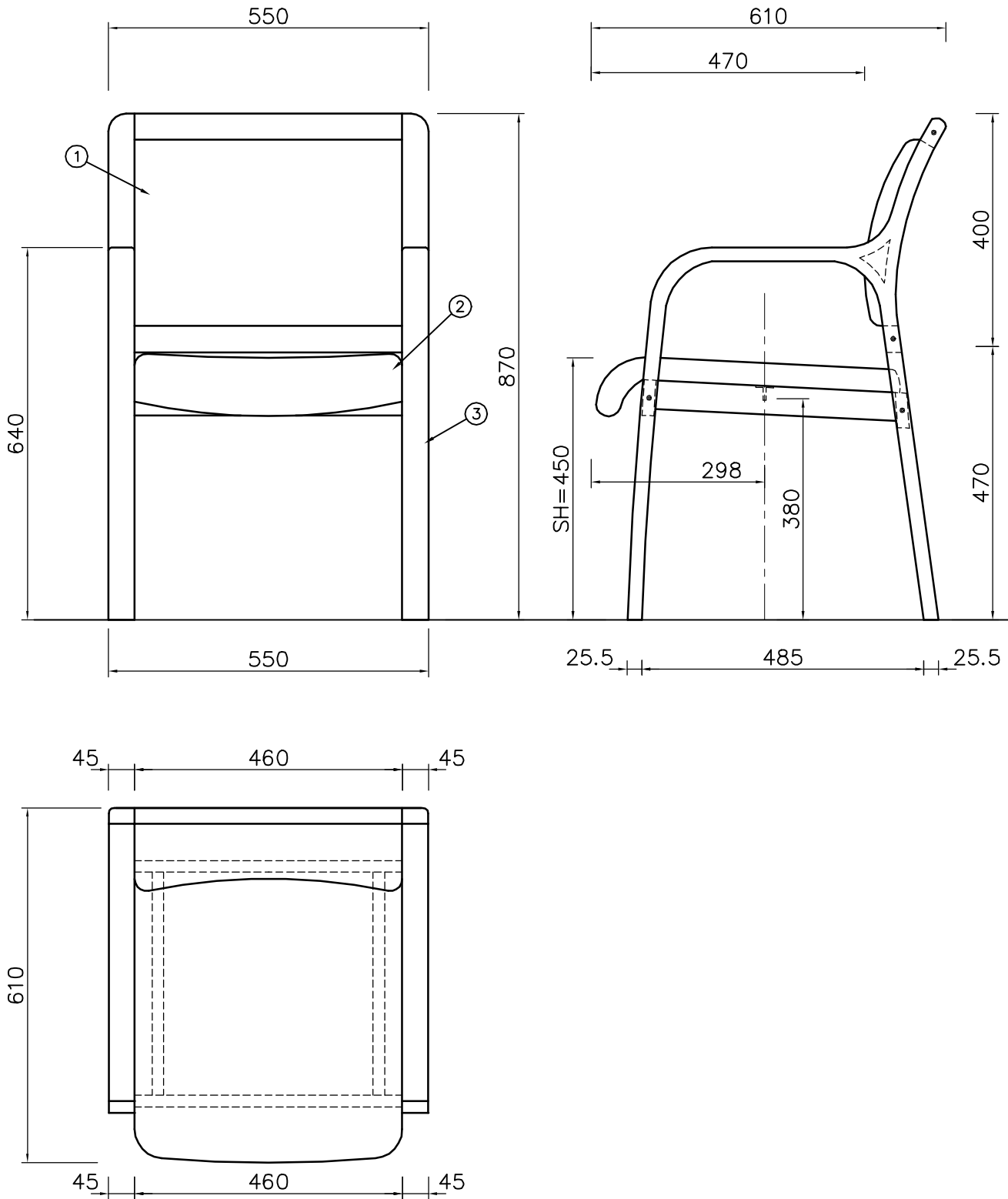


# ARM CHAIR (WOOD) HU-A402

TITLE.



②	SEAT	VENEER 12t & URETHANE FORM 30 % <sub>m</sub> & CHIP URETHANE FORM 10 % <sub>m</sub>			
①	BACK REST	VENEER 12t & FRONT URETHANE FORM 30 % <sub>m</sub> & BACK URETHANE FORM 10 % <sub>m</sub>	③	ARM & REG	
MARK	NAME	MATERIAL	MARK	NAME	MATERIAL
				WOOD COLOR ; MAHOGANI & NATURAL	