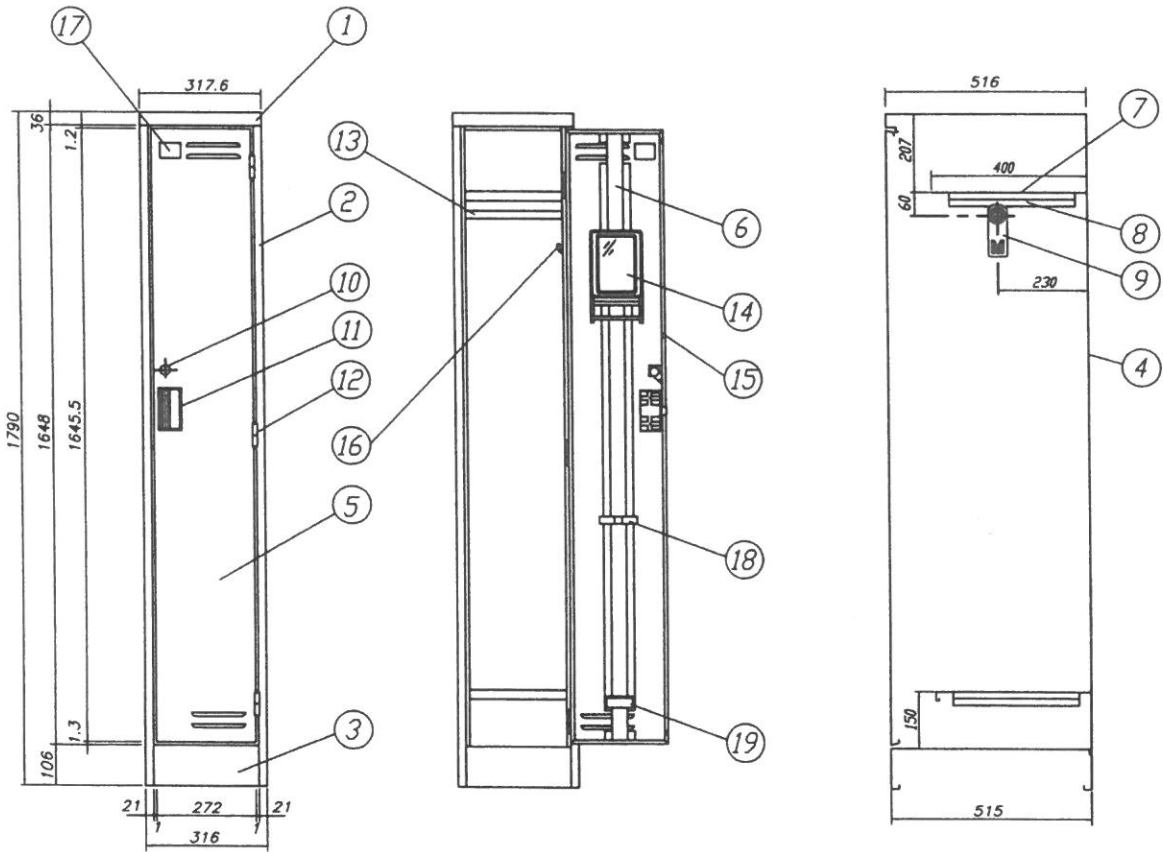
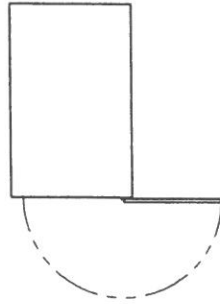


# 1-LOCKER

# RIGHT HINGE

WREN\_12R

TITLE.



⑩	CYLINDER LOCK		⑬	HANGER PIPE	
⑨	COAT HOOK HOLDER & PIPE HOLDER		⑭	MIRROR	
⑧	SHELF HOLDER		⑮	RUBBER CUSHION	
⑦	SHELF		⑯	WATER RECEPTACLE	
⑥	DOOR REINFORCEMENT		⑰	NAME CARD	
⑤	DOOR		⑱	UMBRELLA HOLDER	
④	BACK PANEL				
③	BOTTOM PANEL				
②	SIDE PANEL				
①	TOP PANEL				
MARK	NAME	MATERIAL	MARK	NAME	MATERIAL