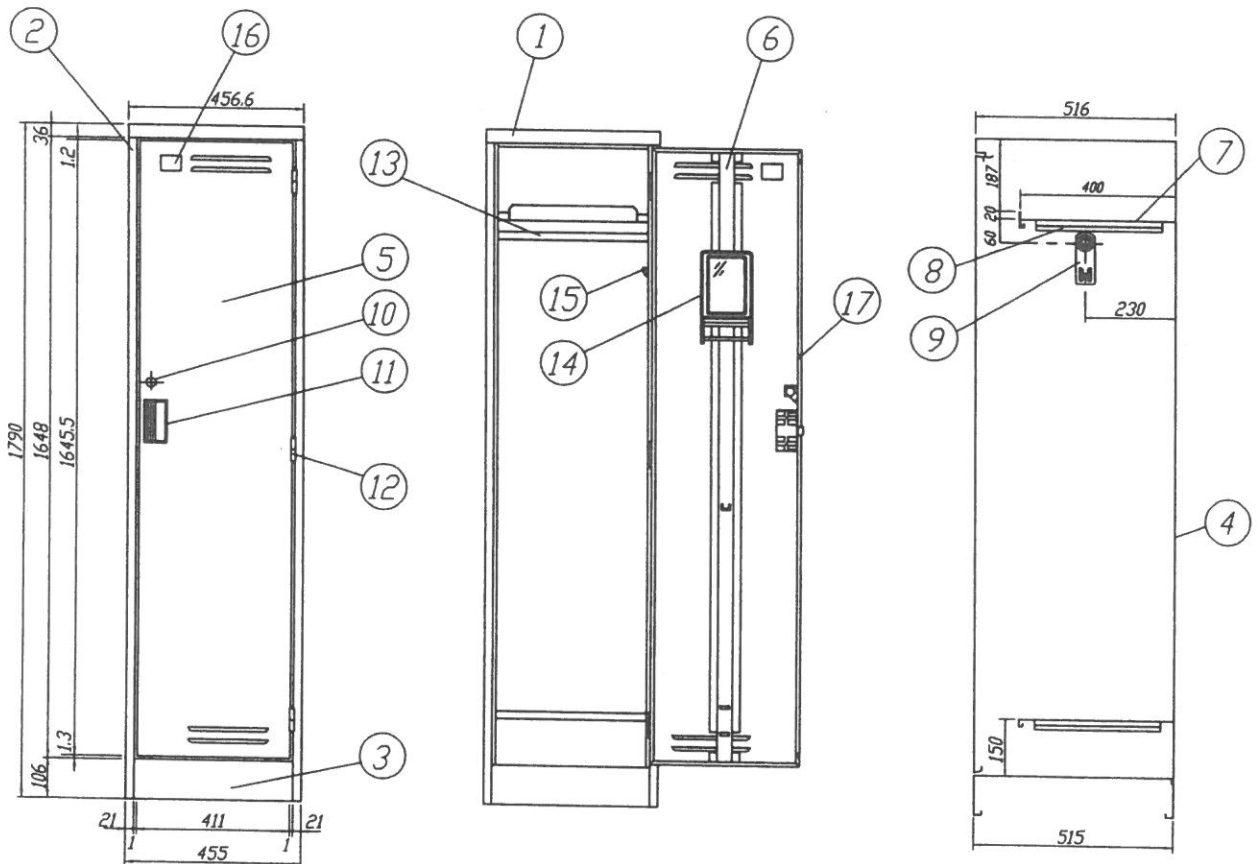
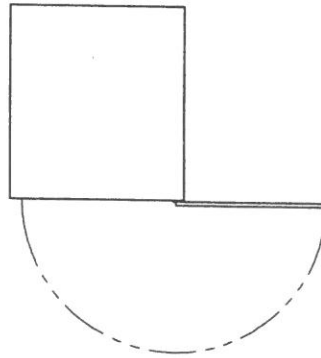


# WARD ROBE

# RIHGT HINGE

WREN\_W455R

TITLE.



9	COAT HOOK HOLDER & PIPE HOLDER				
8	SHELF HOLDER				
7	SHELF (WITH STOPPER)		17	RUBBER CUSHION	
6	DOOR REINFORCEMENT		16	NAME CARD	
5	DOOR		15	COAT HOOK	
4	BACK PANEL		14	MIRROR	
3	BOTTOM PANEL		13	HANGER PIPE	
2	SIDE PANEL		12	HINGE	
1	TOP PANEL		11	HIROYOSHI ORIGINAL HANDLE LATCH	
			10	CYLINDER LOCK	
MARK	NAME	MATERIAL	MARK	NAME	MATERIAL