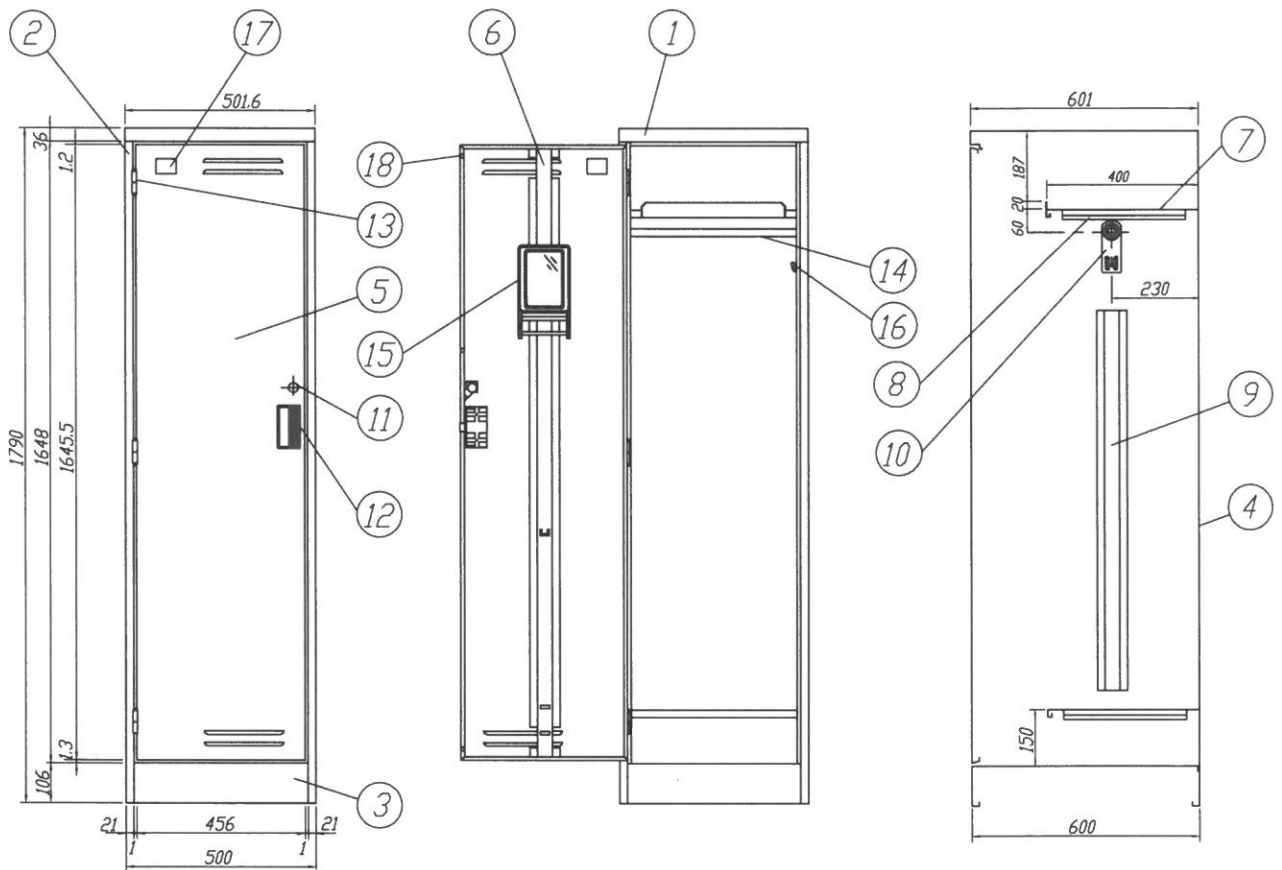
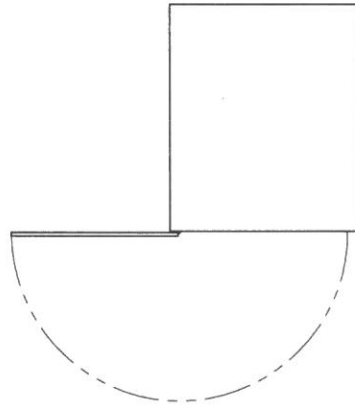


WARD ROBE

LEFT HINGE

WREN_W500D600L

TITLE.



⑨	SIDE PANEL REINFORCEMENT		⑮	RUBBER CUSHION	
⑧	SHELF HOLDER		⑰	NAME CARD	
⑦	SHELF (WITH STOPPER)		⑯	COAT HOOK	
⑥	DOOR REINFORCEMENT		⑰	MIRROR	
⑤	DOOR		⑭	HANGER PIPE	
④	BACK PANEL		⑬	HINGE	
③	BOTTOM PANEL		⑫	HIROYOSHI ORIGINAL HANDLE LATCH	
②	SIDE PANEL		⑪	CYLINDER LOCK	
①	TOP PANEL		⑩	COAT HOOK HOLDER & PIPE HOLDER	
MARK	NAME	MATERIAL	MARK	NAME	MATERIAL