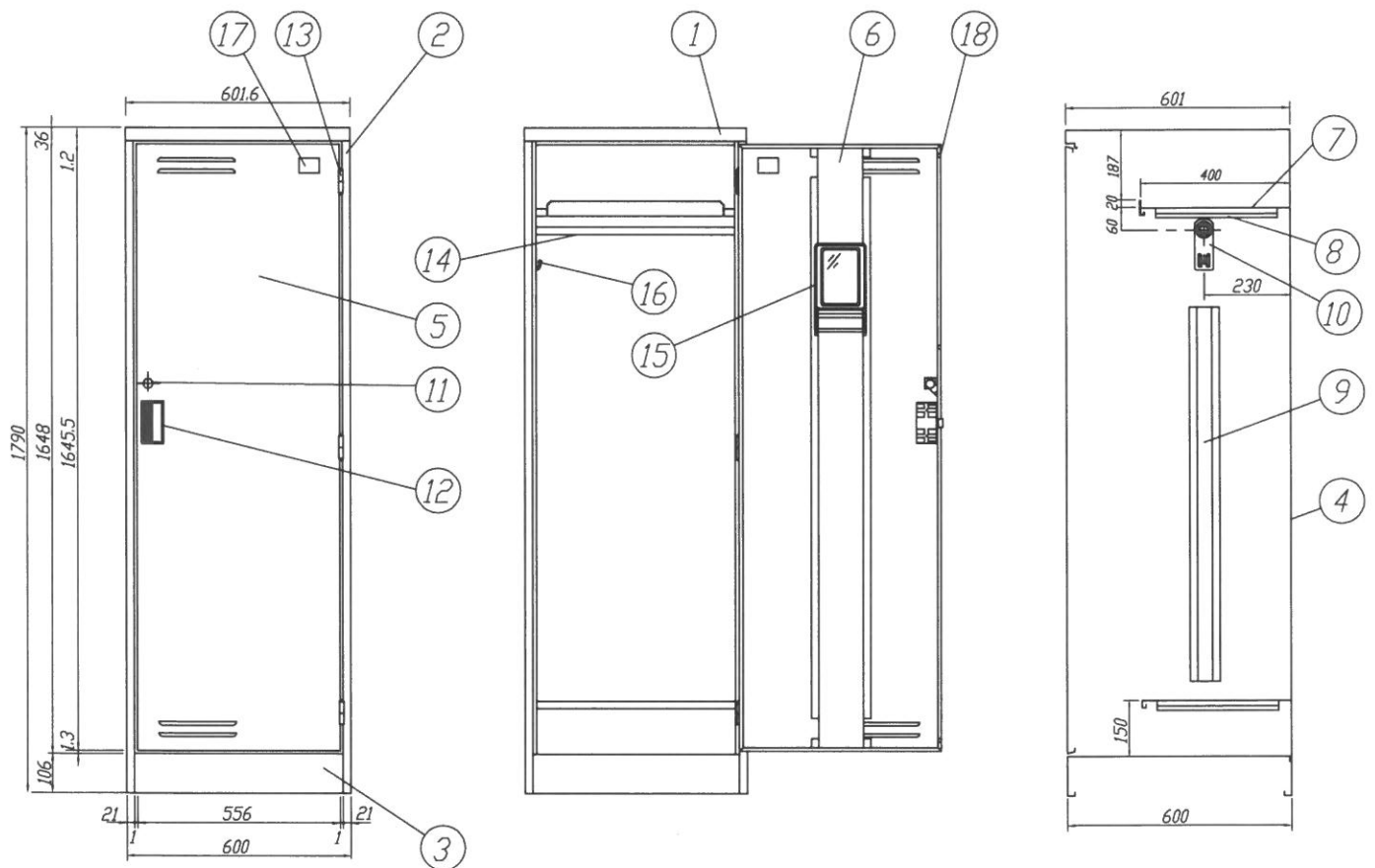
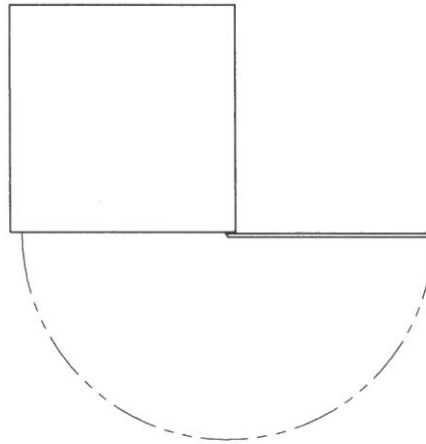


WARD ROBE

RIGHT HINGE

WREN_W600D600R

TITLE.



⑨	SIDE PANEL REINFORCEMENT		⑮	RUBBER CUSHION	
⑧	SHELF HOLDER		⑮	NAME CARD	
⑦	SHELF (WITH STOPPER)		⑮	COAT HOOK	
⑥	DOOR REINFORCEMENT		⑮	MIRROR	
⑤	DOOR		⑮	HANGER PIPE	
④	BACK PANEL		⑮	HINGE	
③	BOTTOM PANEL		⑮	HIROYOSHI ORIGINAL HANDLE LATCH	
②	SIDE PANEL		⑮	CYLINDER LOCK	
①	TOP PANEL		⑮	COAT HOOK HOLDER & PIPE HOLDER	
MARK	NAME	MATERIAL	MARK	NAME	MATERIAL