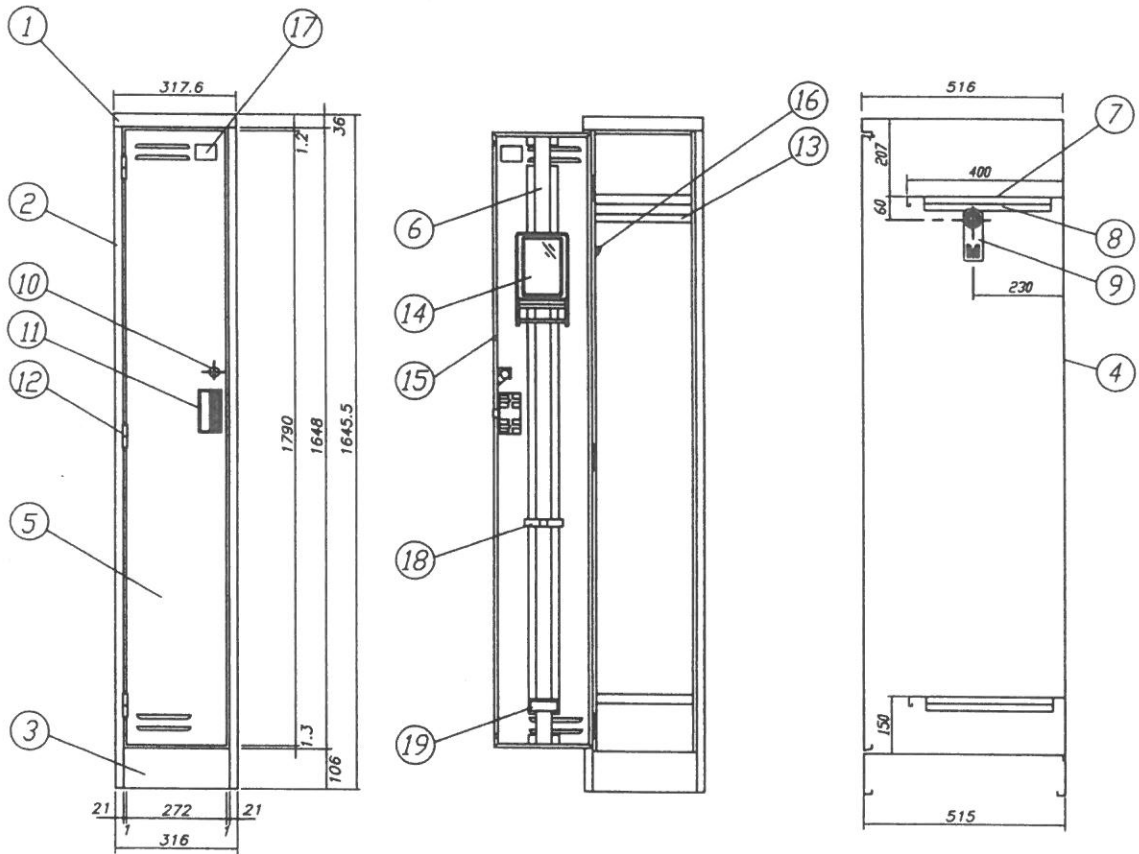
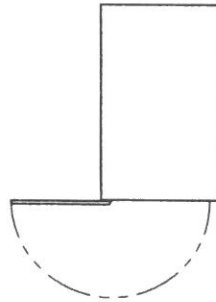


1-LOCKER

LEFT HINGE

WREN_12L

TITLE.



10	CYLINDER LOCK		19	WATER RECEPTACLE	
9	COAT HOOK HOLDER & PIPE HOLDER		18	UMBRELLA HOLDER	
8	SHELF HOLDER		17	NAME CARD	
7	SHELF		16	COAT HOOK	
6	DOOR REINFORCEMENT		15	RUBBER CUSHION	
5	DOOR		14	MIRROR	
4	BACK PANEL		13	HANGER PIPE	
3	BOTTOM PANEL		12	HINGE	
2	SIDE PANEL		11	HIROYOSHI ORIGINAL HANDLE LATCH	
1	TOP PANEL				
MARK	NAME	MATERIAL	MARK	NAME	MATERIAL