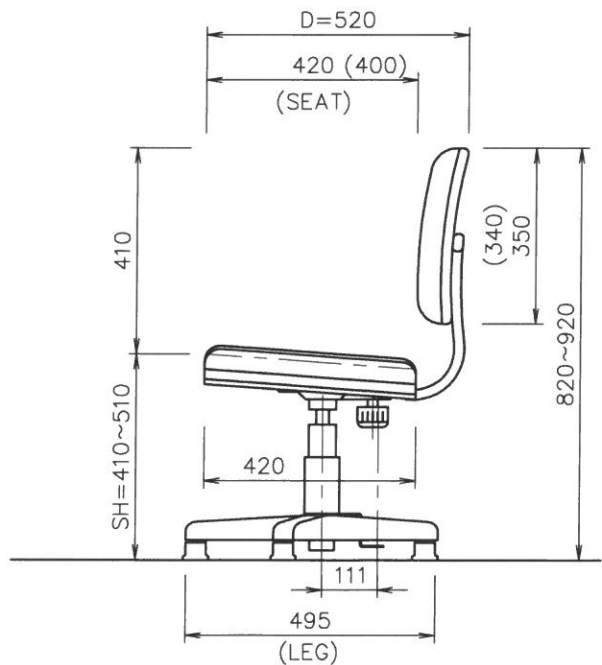
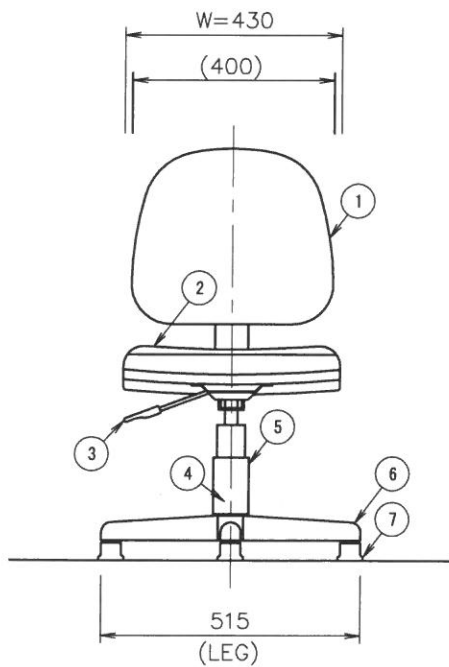
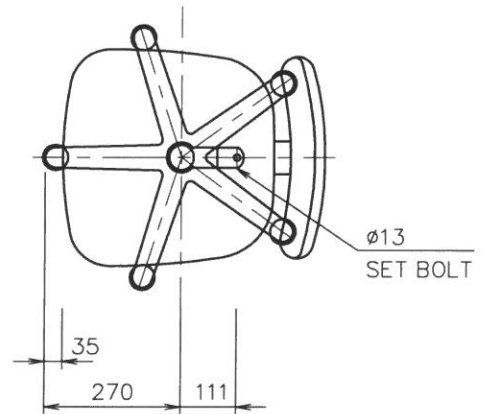


# REV,CHAIR ( 406REG )

TITLE.



③	HANDLE (GAS CYLINDER SYSTEM)	PLASTIC & STEEL			
②	SEAT	FRONT COVER ; VINYL LEATHER (DARK BROWN COLOR)	⑦	TIPS	PLASTIC & STEEL
		BACK PLATE ; PLASTIC (BLACK COLOR)	⑥	LEG	PLASTIC (BLACK COLOR)
①	BACK REST	FRONT COVER ; VINYL LEATHER (DARK BROWN COLOR)	⑤	SHAFT COVER	PLASTIC (BLACK COLOR)
		BACK PLATE ; PLASTIC (BLACK COLOR)	④	SHAFT (GAS CYLINDER SYSTEM)	STAINLESS STEEL
MARK	NAME	MATERIAL	MARK	NAME	MATERIAL