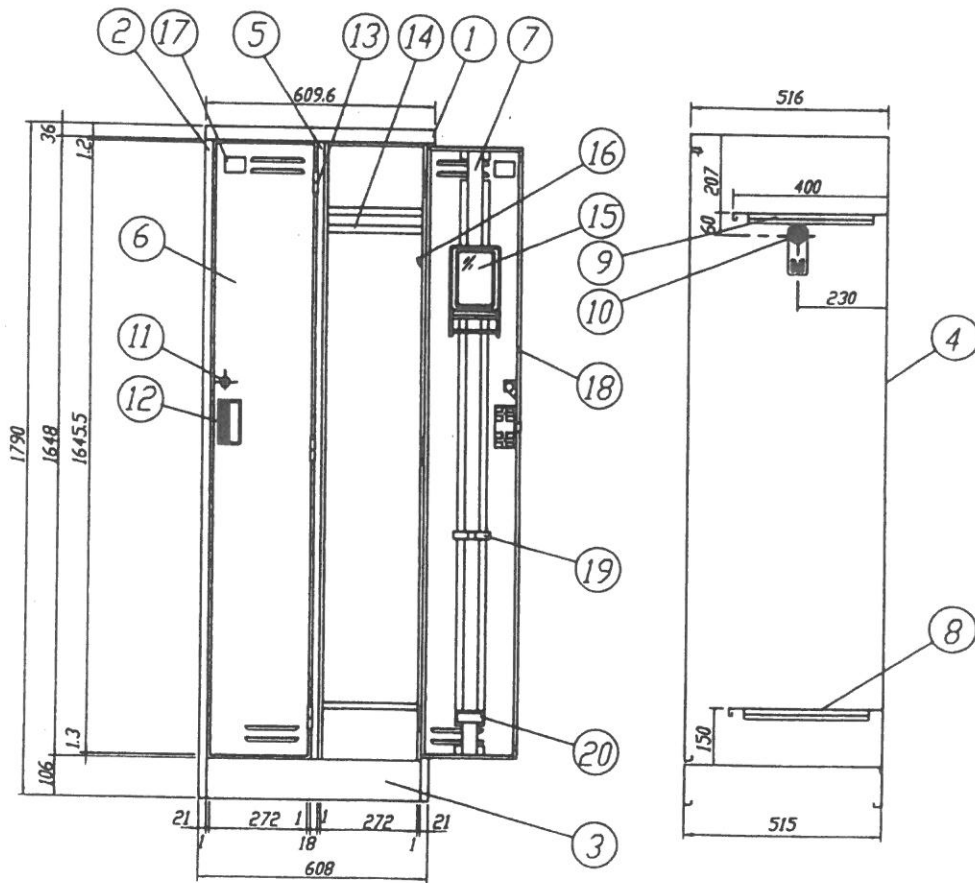
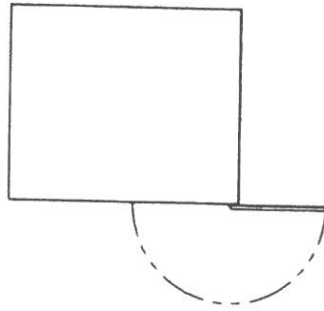


# 2-LOCKER

## RIGHT HINGE

WREN\_22R

TITLE.



10	COAT HOOK HOLDER & PIPE HOLDER	20	WATER RECEPTACLE
9	SHELF HOLDER	19	UMBRELLA HOLDER
8	SHELF	18	RUBBER CUSHION
7	DOOR REINFORCEMENT	17	NAME CARD
6	DOOR	16	COAT HOOK
5	CENTER PANEL	15	MIRROR
4	BACK PANEL	14	HANGER PIPE
3	BOTTOM PANEL	13	HINGE
2	SIDE PANEL	12	HIROYOSHI ORIGINAL HANDLE LATCH
1	TOP PANEL	11	CYLINDER LOCK
MARK	NAME	MATERIAL	
MARK	NAME	MATERIAL	