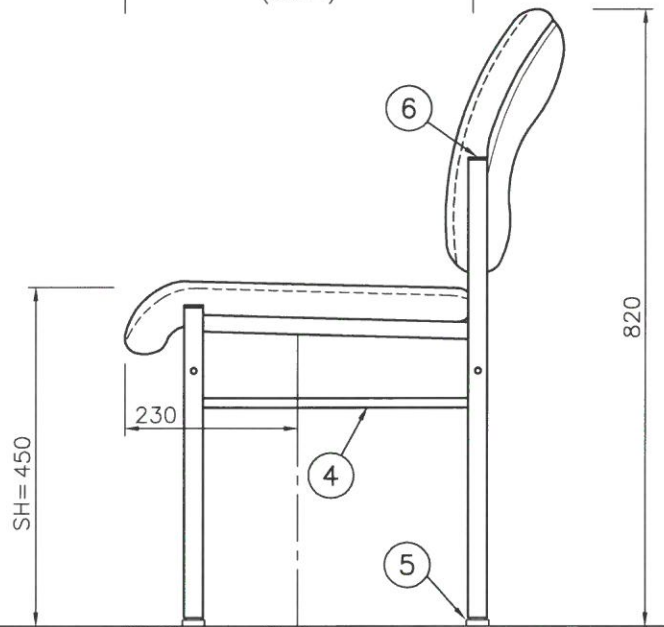
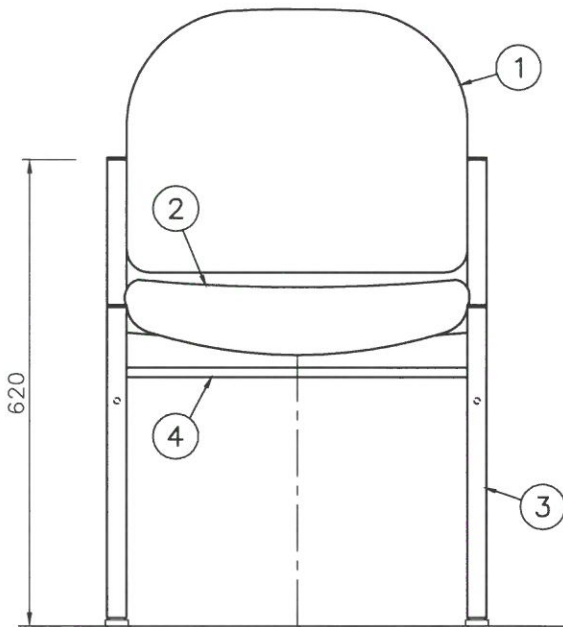
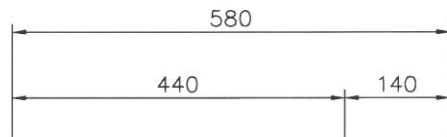
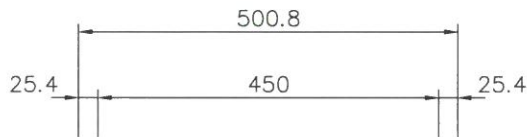
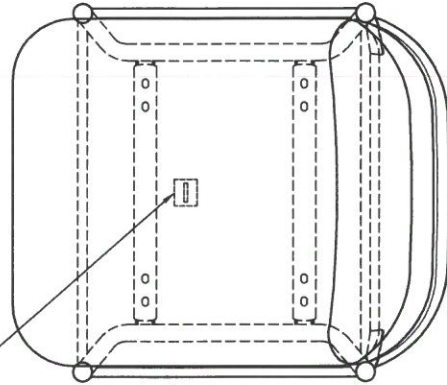


COMMON CHAIR (H-801)

TITLE.



③	LEG	φ25.4 STEEL PIPE (CHROMIUM PLATING A)			
②	SEAT	FRONT COVER ; ~CLOTH SPECIFICATION			
		BACK PLATE ; ~WOOD	⑥	PLASTIC CAP	H=3%
①	BACK REST	FRONT COVER ; ~CLOTH SPECIFICATION	⑤	ADJUSTER	PLASTIC & STEEL
		BACK PLATE ; ~PLASTIC (BLACK COLOR)	④	REINFORCEMENT	φ12.7 STEEL PIPE (CHROMIUM PLATING A)
MARK	NAME	MATERIAL	MARK	NAME	MATERIAL