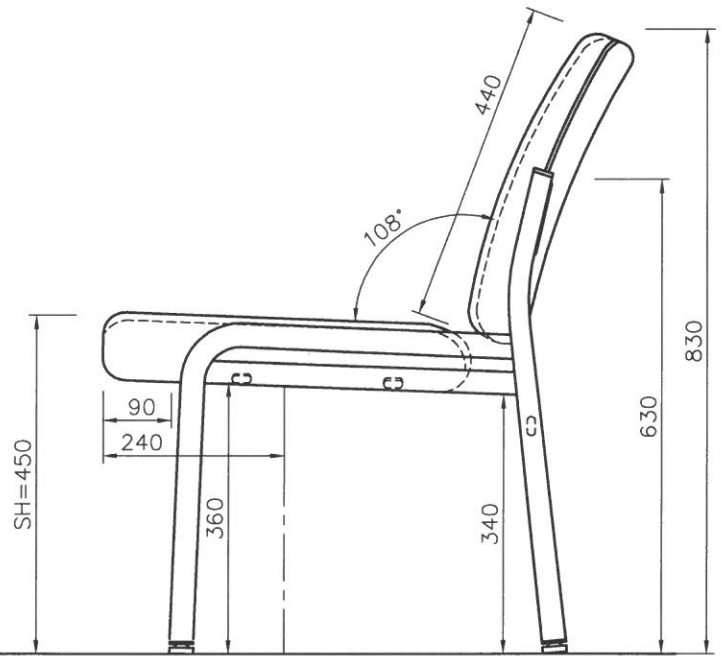
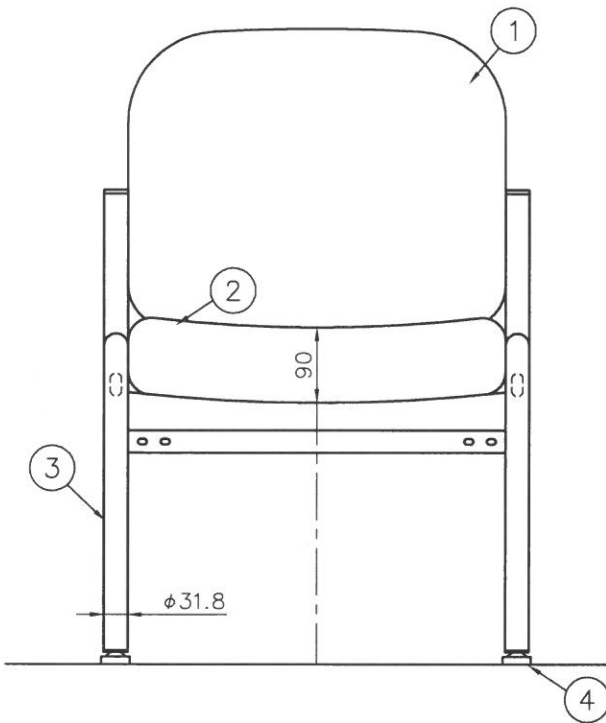
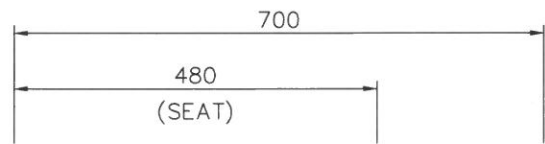
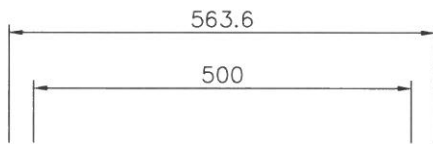
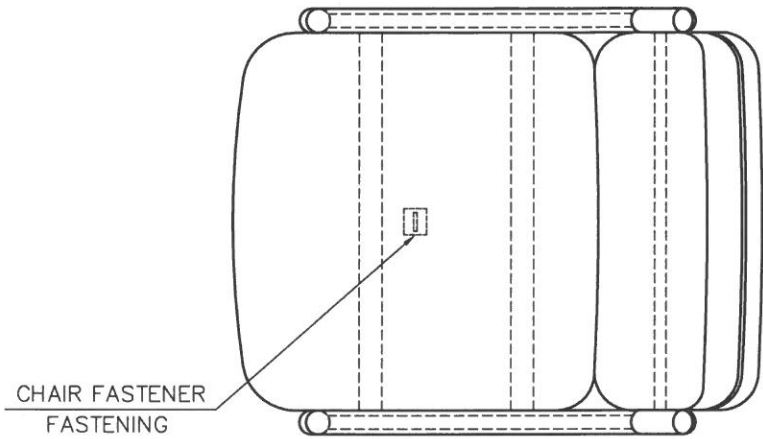


COMMON CHAIR (H-101)

TITLE.



③	LEG	$\phi 31.8$ STEEL PIPE (CHROMIUM PLATING A)			
②	SEAT	FRONT COVER ; ~CLOTH SPECIFICATION			
		BACK PLATE ; ~WOOD			
①	BACK REST	FRONT COVER ; ~CLOTH SPECIFICATION			
		BACK PLATE ; ~PLASTIC (BLACK COLOR)	④	ADJUSTER	PLASTIC & STAINLESS
MARK	NAME	MATERIAL	MARK	NAME	MATERIAL