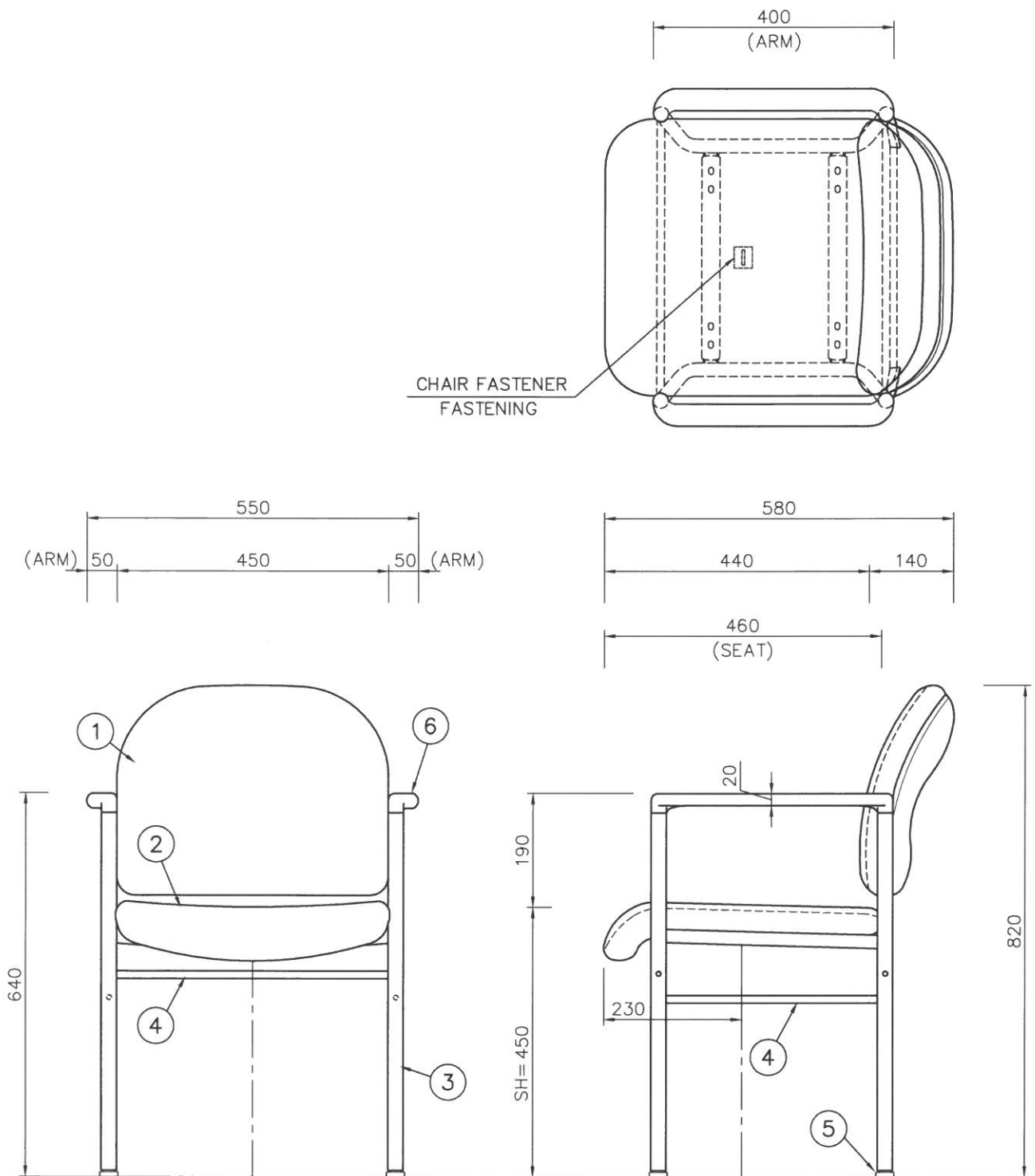


# ARM CHAIR (H-851)

TITLE.



③	LEG	φ25.4 STEEL PIPE (CHROMIUM PLATING A)			
②	SEAT	FRONT COVER ; ~CLOTH SPECIFICATION			
		BACK PLATE ; ~WOOD	⑥	ARM REST	PLASTIC
①	BACK REST	FRONT COVER ; ~CLOTH SPECIFICATION	⑤	ADJUSTER	PLASTIC & STEEL
		BACK PLATE ; ~PLASTIC ( BLACK COLOR )	④	REINFORCEMENT	φ12.7 STEEL PIPE (CHROMIUM PLATING A)
MARK	NAME	MATERIAL	MARK	NAME	MATERIAL