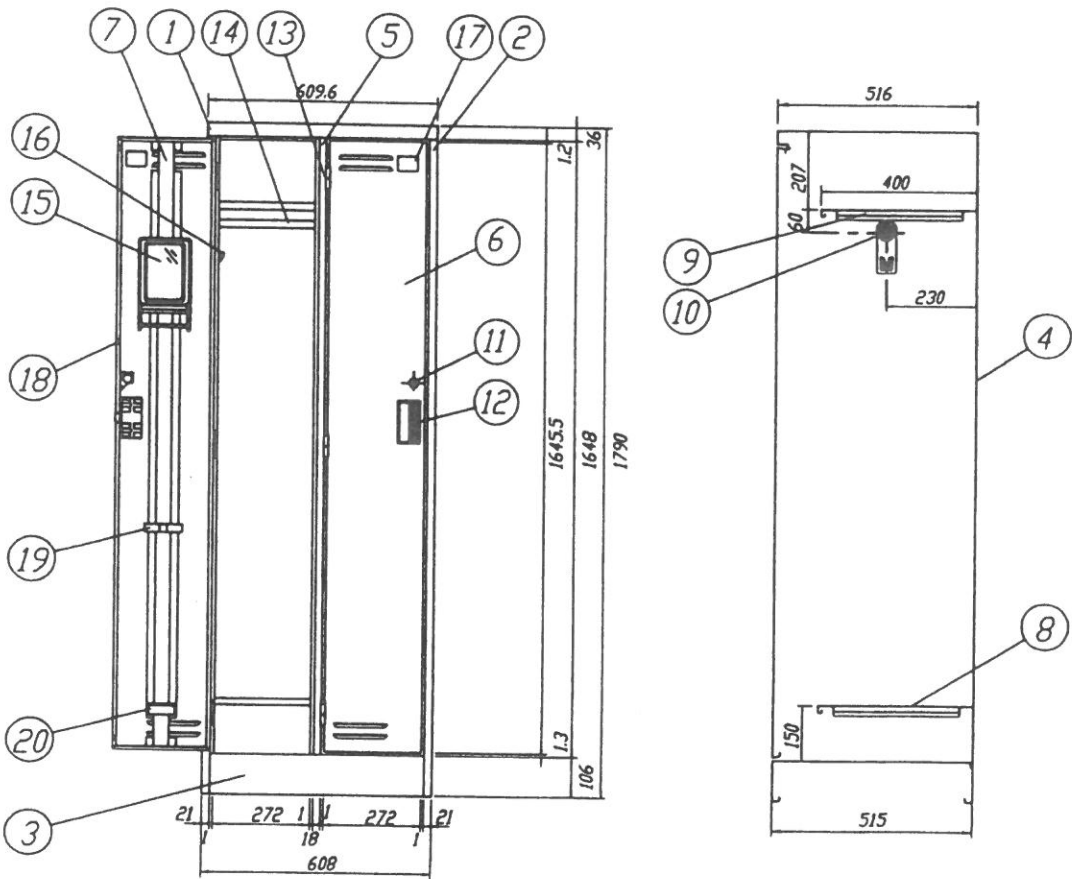
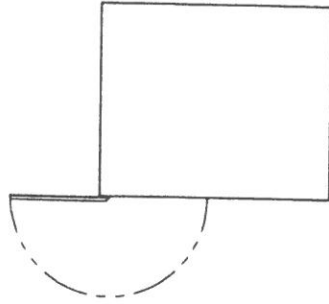


2-LOCKER

LEFT HINGE

WREN_22L

TITLE.



⑩	COAT HOOK HOLDER & PIPE HOLDER		②①	WATER RECEPTACLE	
⑨	SHELF HOLDER		①⑨	UMBRELLA HOLDER	
⑧	SHELF		①⑧	RUBBER CUSHION	
⑦	DOOR REINFORCEMENT		①⑦	NAME CARD	
⑥	DOOR		①⑥	COAT HOOK	
⑤	CENTER PANEL		①⑤	MIRROR	
④	BACK PANEL		①④	HANGER PIPE	
③	BOTTOM PANEL		①③	HINGE	
②	SIDE PANEL		①②	HIROYOSHI ORIGINAL HANDLE LATCH	
①	TOP PANEL		①①	CYLINDER LOCK	
MARK	NAME	MATERIAL	MARK	NAME	MATERIAL