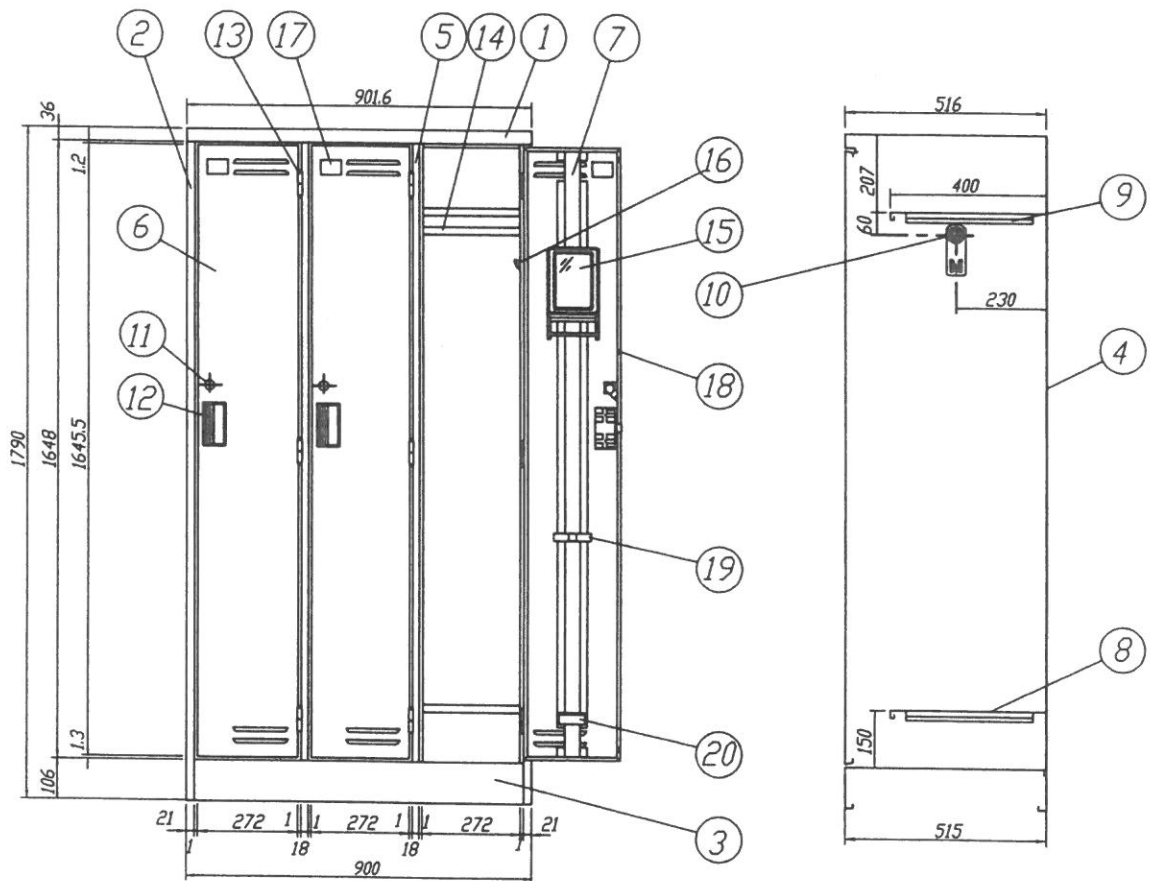
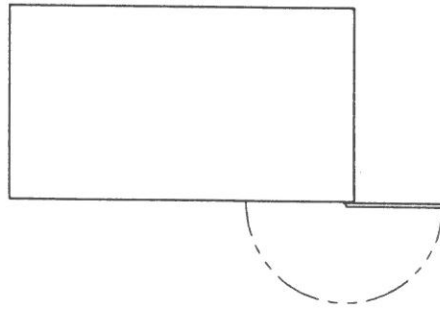


# 3-LOCKER

## RIGHT HINGE

WREN\_32R

TITLE.



⑩	COAT HOOK HOLDER & PIPE HOLDER	②①	WATER RECEPTACLE
⑨	SHELF HOLDER	①⑨	UMBRELLA HOLDER
⑧	SHELF	①⑧	RUBBER CUSHION
⑦	DOOR REINFORCEMENT	①⑦	NAME CARD
⑥	DOOR	①⑥	COAT HOOK
⑤	CENTER PANEL	①⑤	MIRROR
④	BACK PANEL	①④	HANGER PIPE
③	BOTTOM PANEL	①③	HINGE
②	SIDE PANEL	①②	HIROYOSHI ORIGINAL HANDLE LATCH
①	TOP PANEL	①①	CYLINDER LOCK
MARK	NAME	MATERIAL	MATERIAL