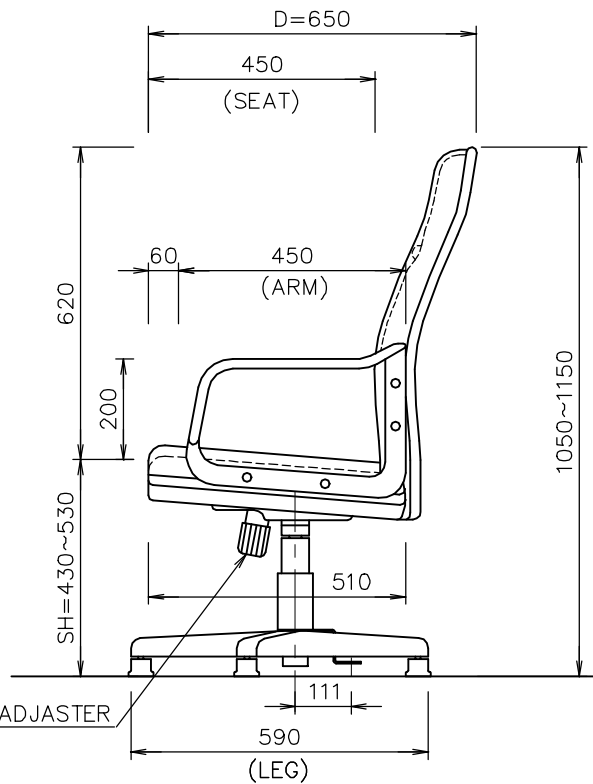
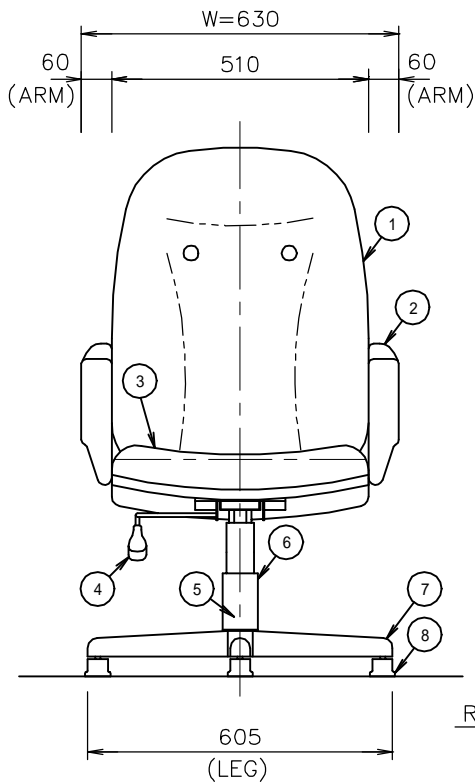
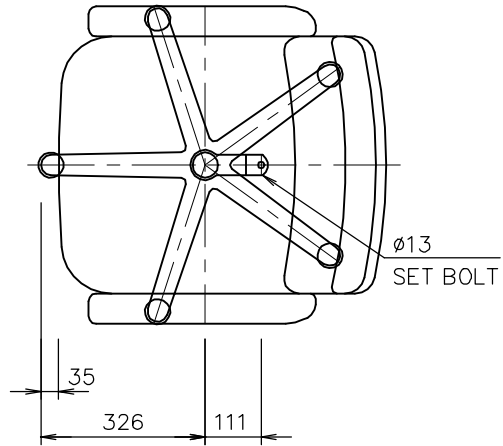


REV,ARM CHAIR (507RMG)

TITLE.



③	SEAT	FRONT COVER ; VINYL LEATHER (DARK BROWN COLOR)	⑧	TIPS	PLASTIC & STEEL
		BACK PLATE ; PLASTIC (BLACK COLOR)	⑦	LEG	PLASTIC (BLACK COLOR)
②	ARM REST	PLASTIC (BLACK COLOR)	⑥	SHAFT COVER	PLASTIC (BLACK COLOR)
①	BACK REST	FRONT COVER ; VINYL LEATHER (DARK BROWN COLOR)	⑤	SHAFT (GAS CYLINDER SYSTEM)	STAINLESS STEEL
		BACK PLATE ; PLASTIC (BLACK COLOR)	④	HANDLE (GAS CYLINDER SYSTEM)	PLASTIC & STEEL
MARK	NAME	MATERIAL	MARK	NAME	MATERIAL